



Bartels AutoEngineer®

Version 7.8

Highlights

This document contains illustrated information about some of the new features introduced with **Bartels AutoEngineer Version 7.8**.

Bartels AutoEngineer Version 7.8 Highlights

Published by: Bartels System GmbH, Munich

Last printing: May 2012

The information contained in the **Bartels AutoEngineer** publications as well as the products and/or programs described therein are subject to change without notice and should not be construed as a commitment by Bartels System.

Although Bartels System has gone to great effort to verify the integrity of the information provided with the **Bartels AutoEngineer** publications, these publications could contain technical inaccuracies or typographical errors. Bartels System shall not be liable for errors contained therein or for incidental consequential damages in connection with the furnishing, performance or use of this material. Bartels System appreciates readers' and/or users' comments in order to improve these publications and/or the products described therein. Changes are periodically made to the information therein. These changes will be incorporated in new editions of the **Bartels AutoEngineer** publications.

All rights reserved. No part of the **Bartels AutoEngineer** publications may be reproduced, stored in a retrieval system, translated, transcribed or transmitted, in any form or by any means manual, electric, electronic, electromagnetic, mechanical, chemical, optical or otherwise without prior express written permission from Bartels System.

Bartels AutoEngineer®, **Bartels Router®** and **Bartels Autorouter®** are registered trademarks of Bartels System.

Bartels User Language™ and **Bartels Neural Router™** are trademarks of Bartels System. All other products or services mentioned in this publication are identified by the trademarks or service marks of their respective companies or organizations.

Copyright © 1986-2012 by Oliver Bartels F+E

All Rights Reserved

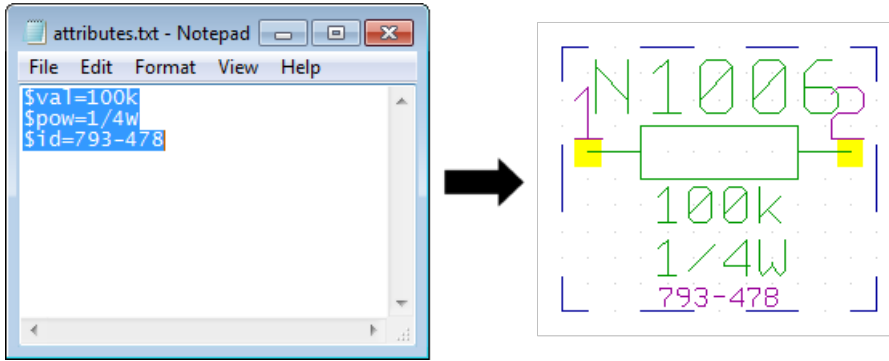
Printed in Germany

Contents

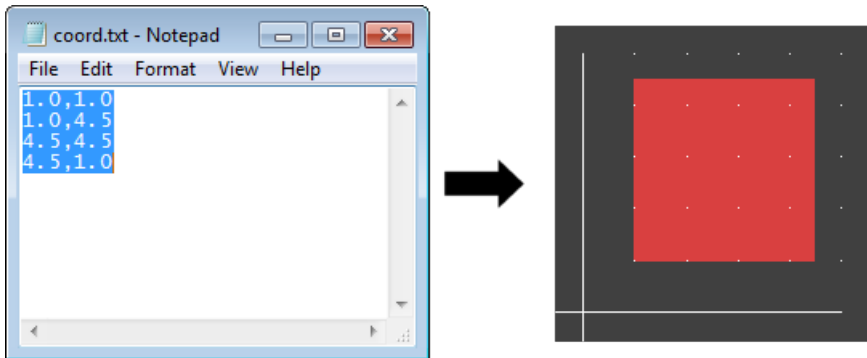
Bartels AutoEngineer® Version 7.8 Highlights	1
Extended Clipboard Features	5
List View Dialog boxes with Sortable Columns	5
BAE HighEnd - Placed Symbol Indication.....	6
Pattern Display Options for Fixed and Glued Elements.....	6
Item Browser with Element Type and Hierarchy Level Display Options	7
Airline Display Option Restriction to Airlines Ending in Viewport.....	8
Airline Display with Signal Layer Colors	8
Point-to-Point Router	9
Clip Obstructing Traces when Placing New Trace	9
Insert Trace into existing Trace.....	10
Windows Print Output with Mixed Colors on White Background	10

Extended Clipboard Features

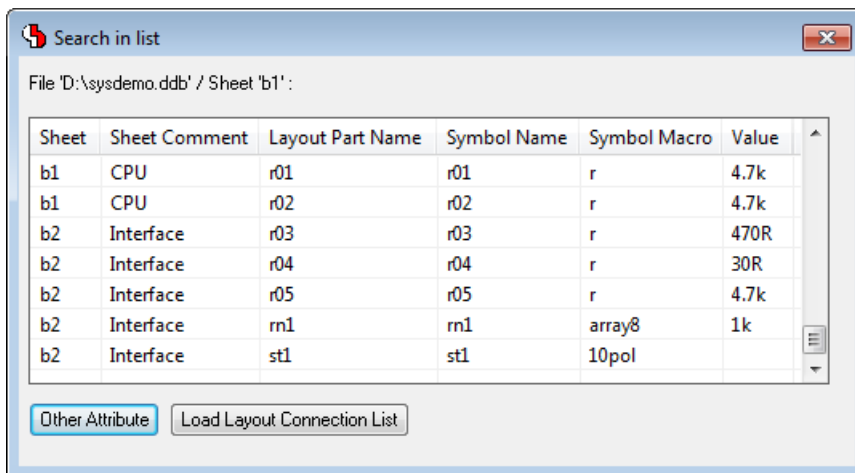
Clipboard - Attribute Transfer



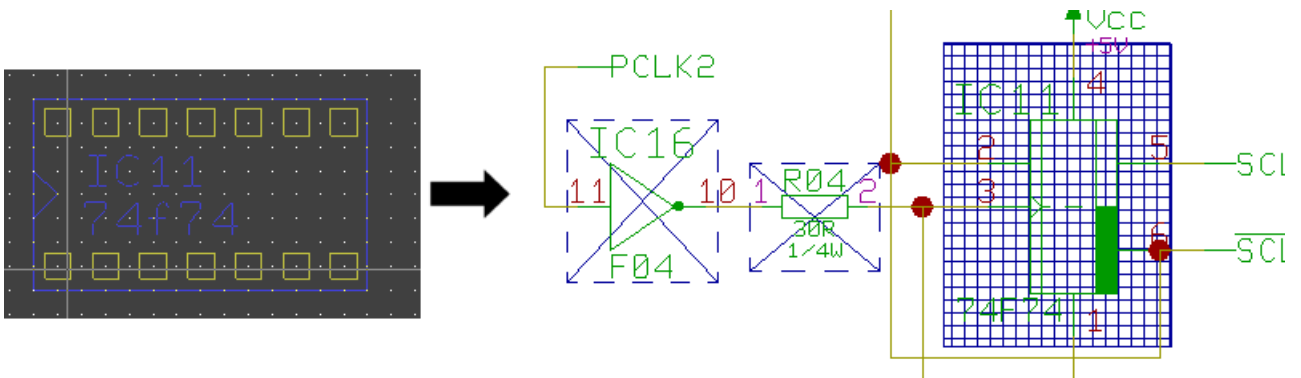
Clipboard - Coordinate Transfer



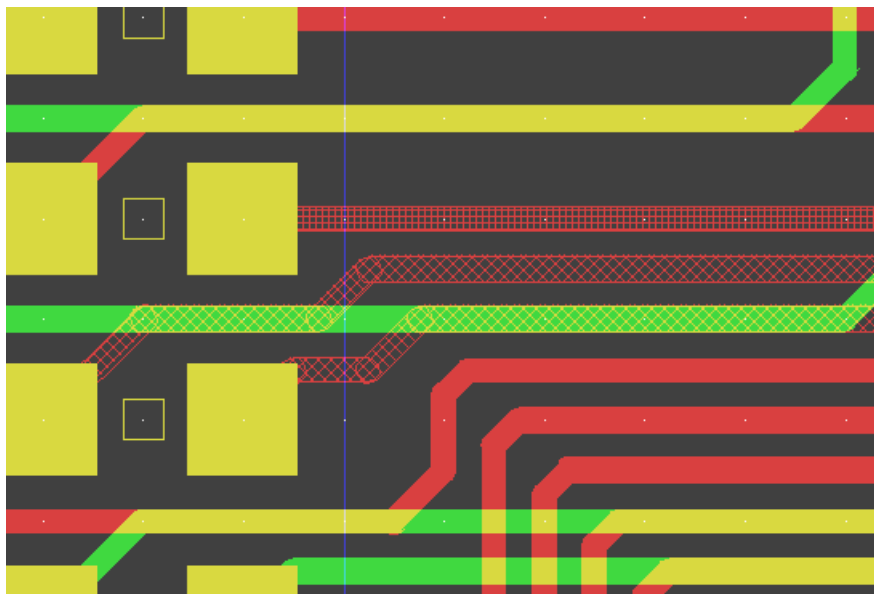
List View Dialog boxes with Sortable Columns



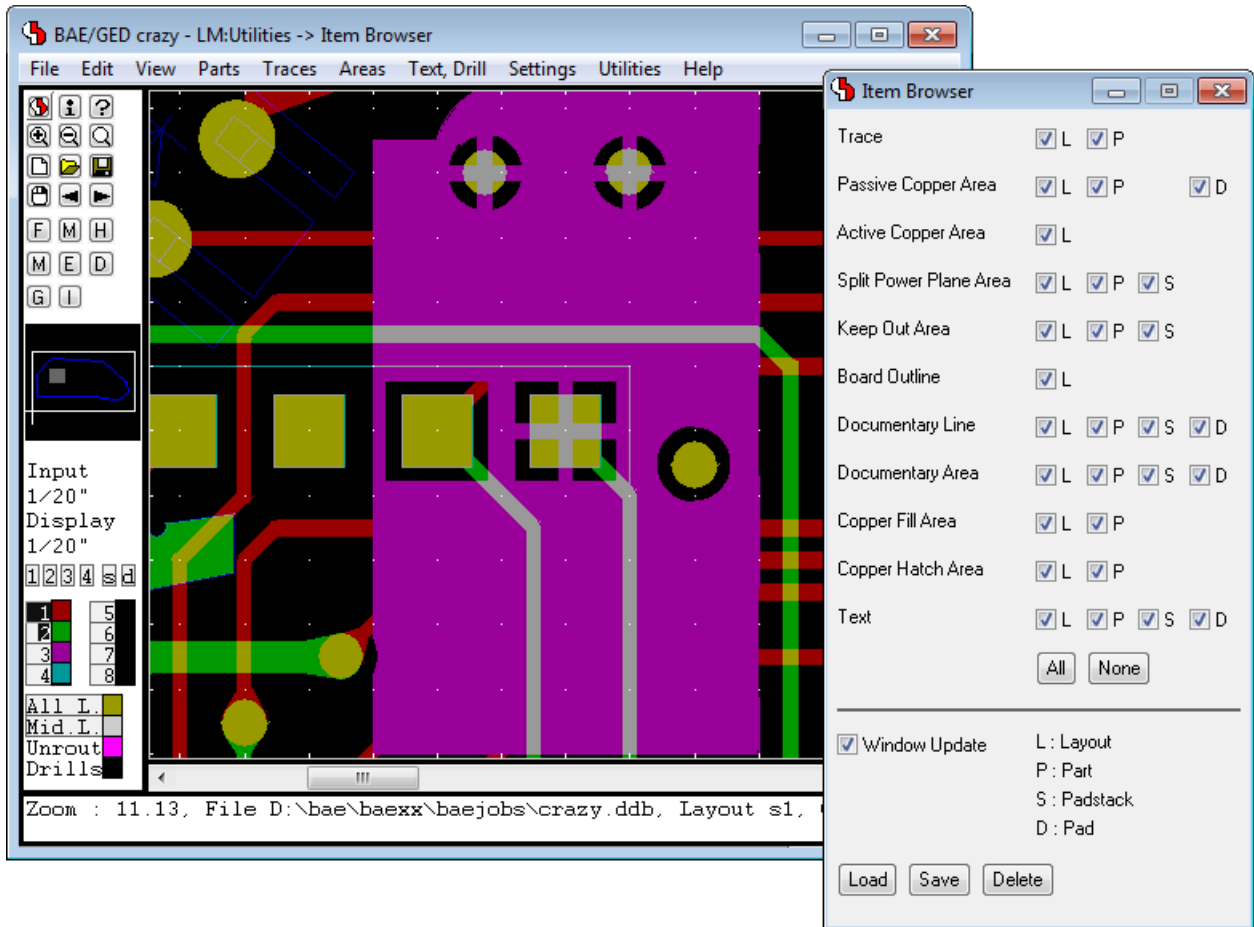
BAE HighEnd - Placed Symbol Indication



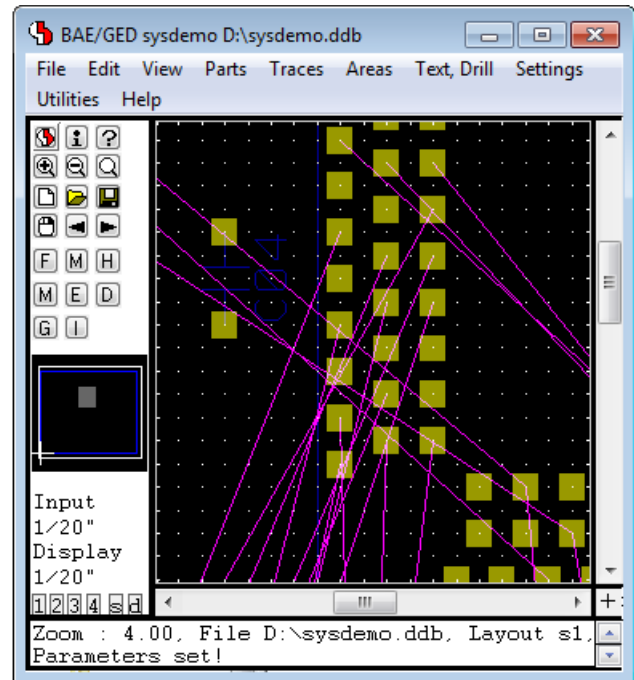
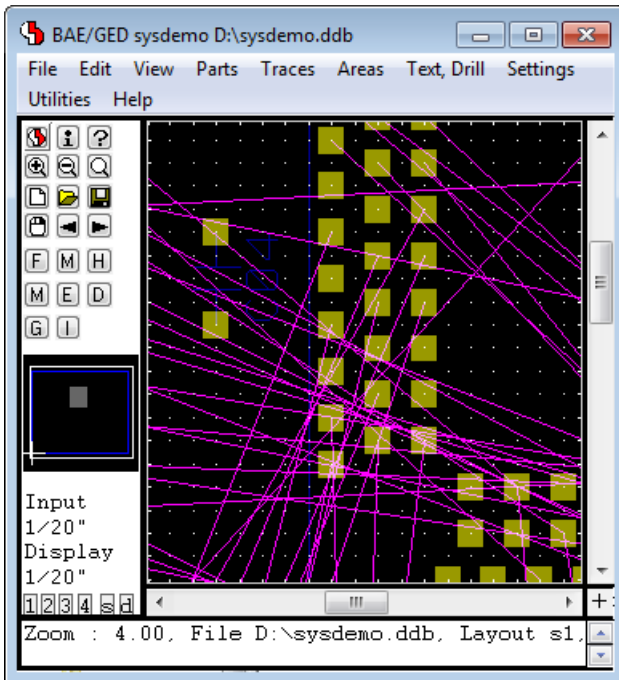
Pattern Display Options for Fixed and Glued Elements



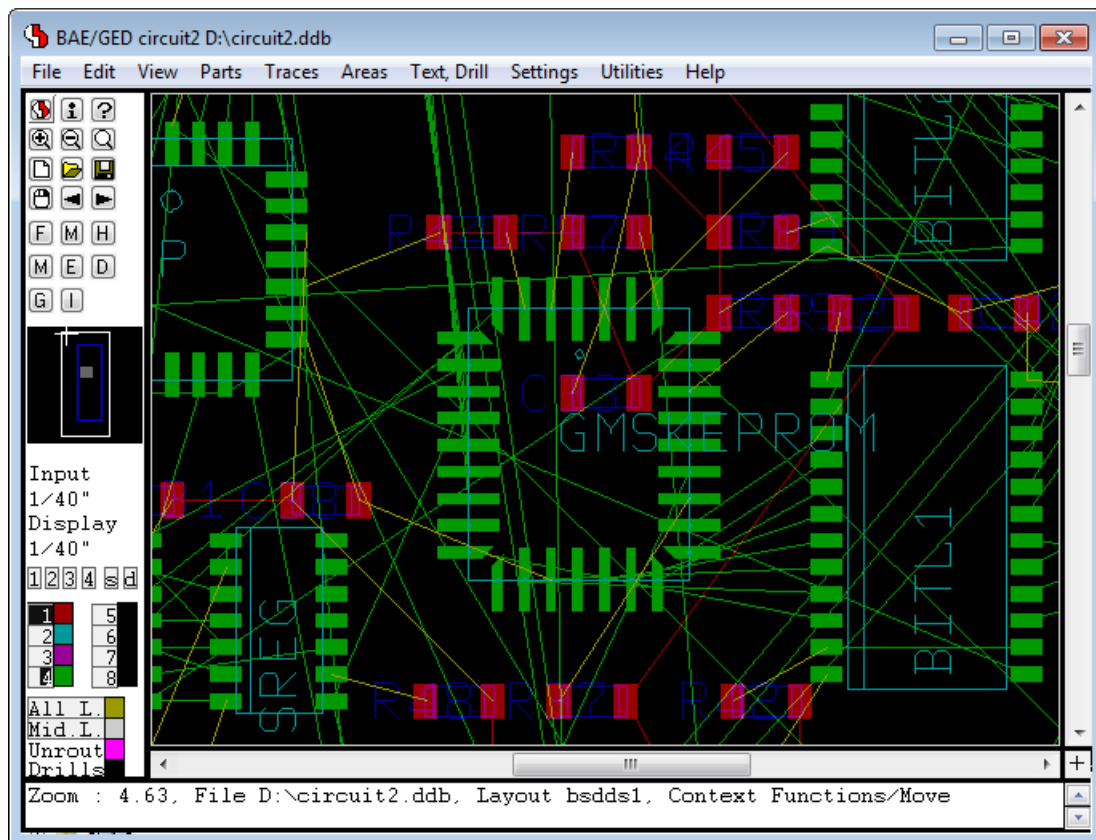
Item Browser with Element Type and Hierarchy Level Display Options



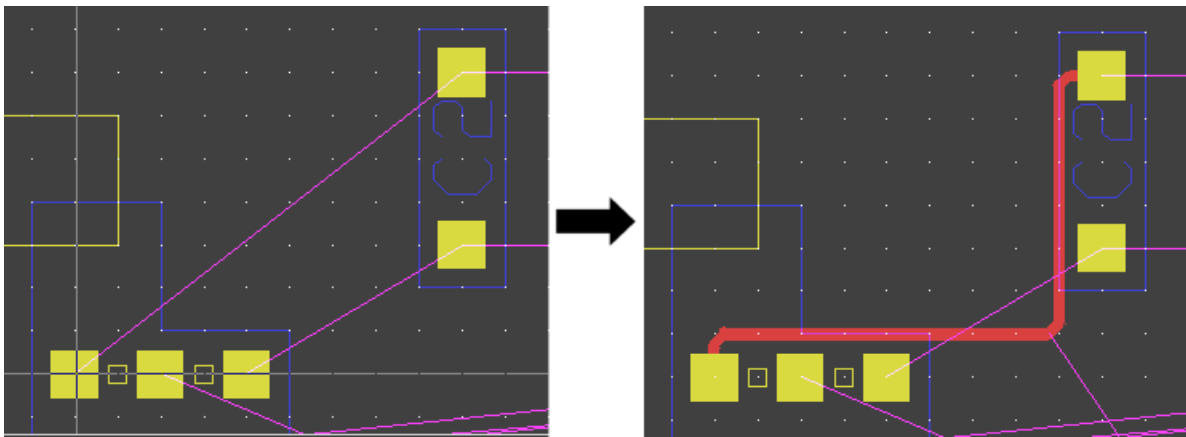
Airline Display Option Restriction to Airlines Ending in Viewport



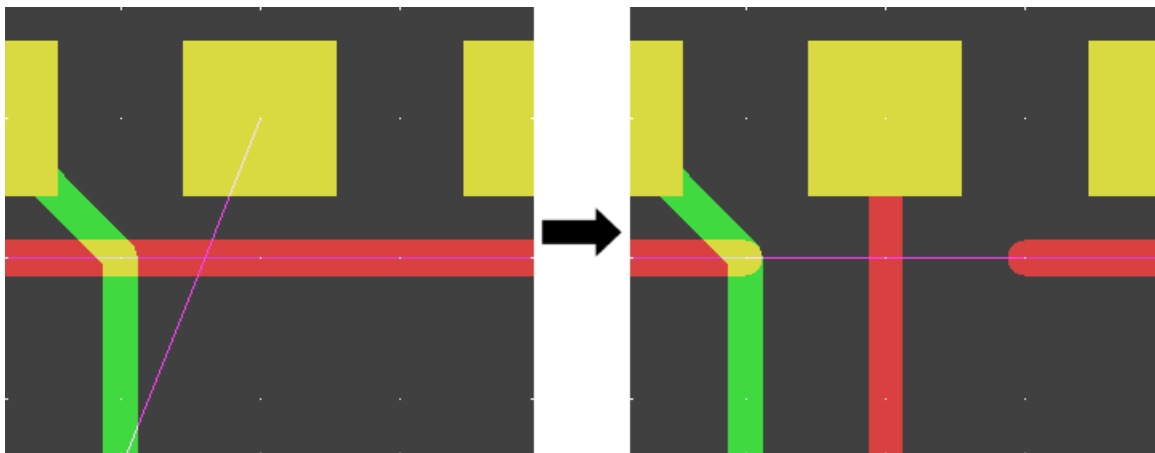
Airline Display with Signal Layer Colors



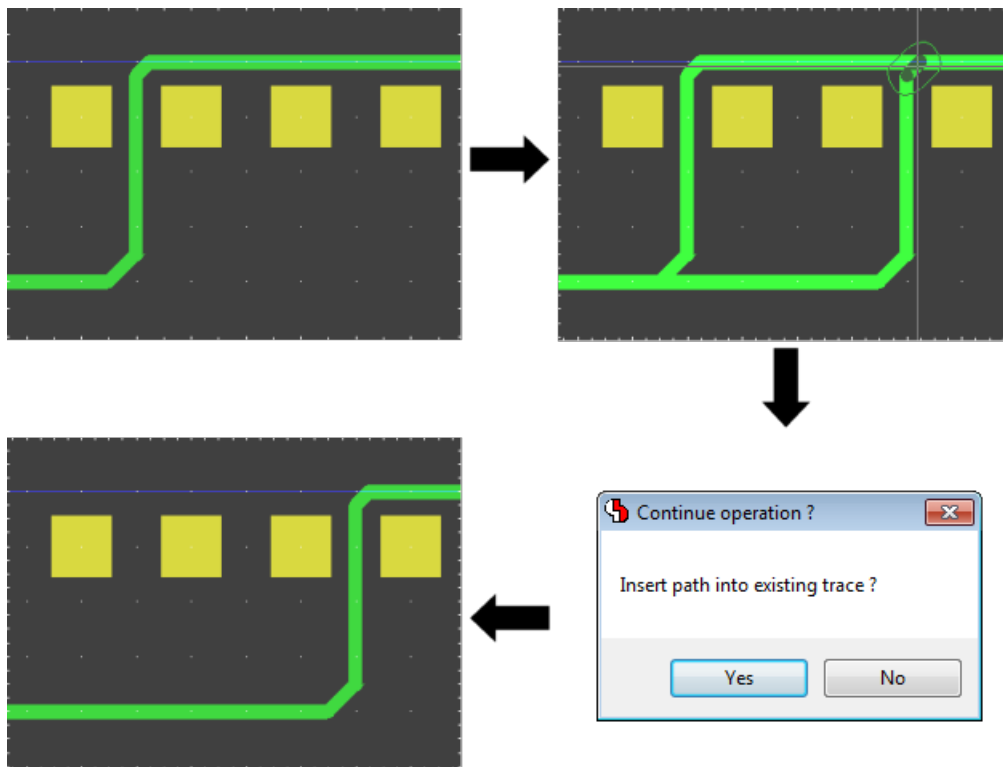
Point-to-Point Router



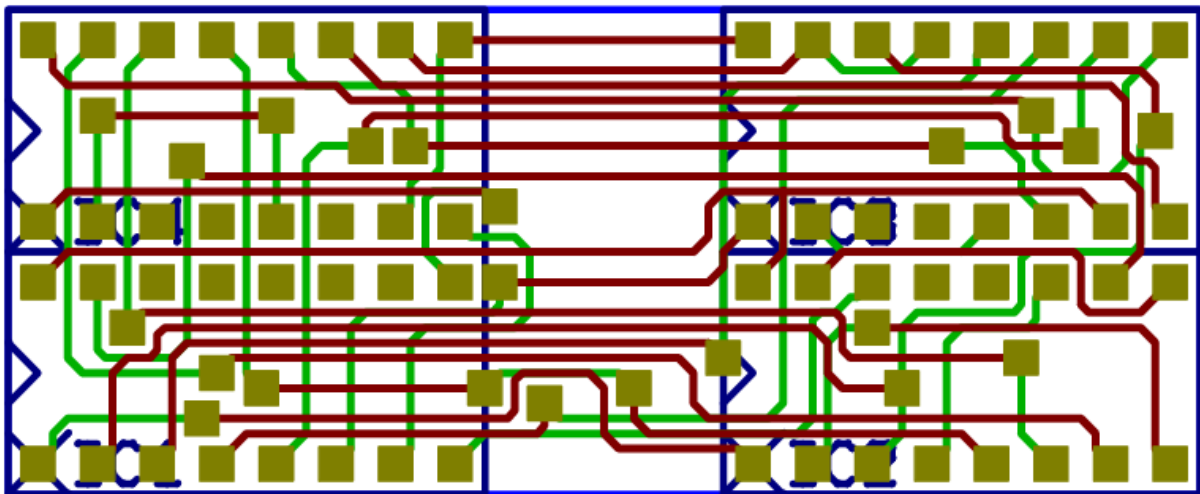
Clip Obstructing Traces when Placing New Trace



Insert Trace into existing Trace



Windows Print Output with Mixed Colors on White Background



Please see the **Bartels AutoEngineer® Version 7.8 Release Notes** for a detailed description of all new features introduced with Bartels AutoEngineer Version 7.8 features.